



THE  
**SPRAY NOZZLE**  
PEOPLE

# ST

**Abrasion-resistant  
Clog Resistant**

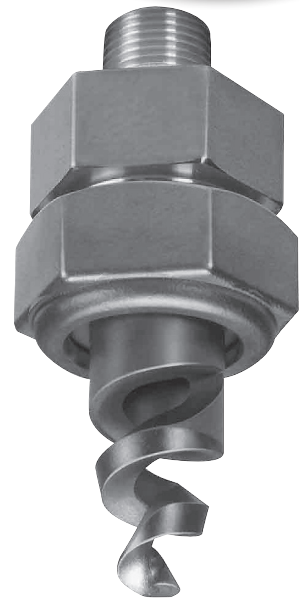
## FULL CONE

### DESIGN FEATURES

- ✓ Cobalt Alloy 6 or RBSC ceramic parts in high-wear areas
- ✓ High energy efficiency
- ✓ No internal parts
- ✓ Clog-resistant
- ✓ Male and female connections
- ✓ Flanged and special connections available as required

### SPRAY CHARACTERISTICS

- ✓ Fine atomisation
- ✓ Spray pattern: Full Cone (Hollow Cone available by special order)
- ✓ Spray angles: 90° and 120° standard
- ✓ Flow rates: 2.26 to 10700 l/min (Higher flow rates available)

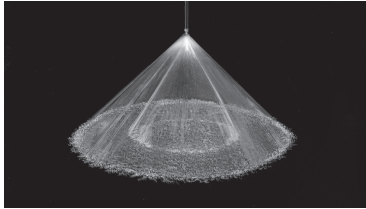


The ST nozzle is a special spiral full cone nozzle that is designed to be abrasion resistant. It produces an approximate full cone pattern with good atomisation and is available in a large range of flow rates and spray angles. ST nozzles are used primarily in gas scrubbing and pollution control applications but would be a suitable choice in any application where abrasion is a concern.

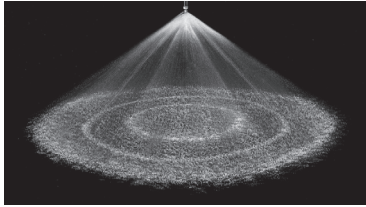
**CALL NOW : +44 (0) 1273 400092**

[www.spray-nozzle.co.uk](http://www.spray-nozzle.co.uk)

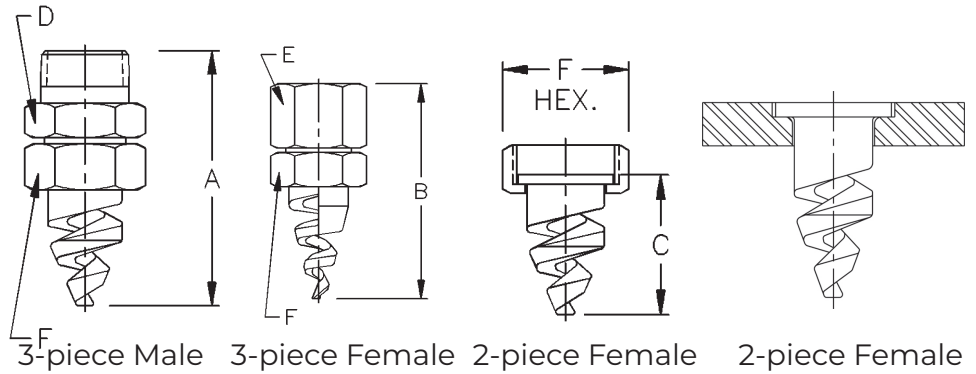
The Go-to People for spray nozzle solutions



Full cone 90'(FCN)



Full cone 120' (FFC)



## ST Flow Rates and Dimensions

Full Cone, 90° (FCN or FFCN) and 120° (FC or FFC) Spray Angles, 1/4" to 4" Pipe Sizes, BSP or NPT

Pipe Size	Nozzle No	K	Litres per minute at bar								Approx (mm)		Dimensions (mm)						Wt (kg)
			0.5 bar	0.7 bar	1 bar	2 bar	3 bar	5 bar	10 bar	20 bar	Orifice Dia	Free Pass	A	B	C	D	E	F	
1/4"	ST6	3.19	2.26	2.67	3.19	4.5	5.5	7.1	10.1	14.3	2.38	2.38	63.5	65	30	17.5	17.5	20.6	0.09
	ST8	5.93	4.19	4.96	5.93	8.4	10.3	13.2	18.7	26.5	3.18	3.18	63.5	65	30	17.5	17.5	20.6	
	ST10	9.12	6.45	7.63	9.12	12.9	15.8	20.4	28.8	40.8	3.97	3.18	63.5	65	30	17.5	17.5	20.6	
3/8"	ST12	13.7	9.67	11.4	13.7	19.3	23.7	30.6	43.2	61.1	4.76	3.18	74.7	74.7	33.3	23.9	23.9	28.7	0.14
	ST14	18.5	13.1	15.4	18.5	26.1	32	41.3	58.4	82.6	5.56	3.18	73.2	74.7	31.8	23.9	23.9	28.7	
	ST16	24.2	17.1	20.2	24.2	34.2	41.8	54	76.4	108	6.35	3.18	73.2	74.7	34.5	23.9	23.9	28.7	
	ST20	37.6	26.6	31.5	37.6	53.2	65.1	84.1	119	168	7.94	3.18	73.2	74.7	31.8	23.9	23.9	28.7	
3/4"	ST24	54.9	38.8	46	54.9	77.7	95.1	123	174	246	9.53	4.76	90.4	95.3	30.2	35.1	35.1	38.1	0.28
	ST28	75.2	53.2	62.9	75.2	106	130	168	238	336	11.1	4.76	89.7	95.3	45.2	35.1	35.1	38.1	
	ST32	95.7	67.7	80.1	95.7	135	166	214	303	428	12.7	4.76	93.7	95.3	44.7	35.1	35.1	38.1	
1"	ST40	153	108	128	153	216	264	341	483	683	15.9	6.35	116	116	61	47.8	44.5	50.8	0.57
	ST48	216	153	181	216	306	375	484	685	968	19.1	6.35	116	116	60.5	47.8	44.5	50.8	
1 1/2"	ST56	294	208	246	294	416	509	657	930	1320	22.2	7.94	143	145	84.8	49.3	54.1	55.6	0.79
	ST64	385	272	322	385	545	667	861	1220	1720	25.4	7.94	143	145	85.6	49.3	54.1	55.6	
	ST72	438	309	366	438	619	758	978	1380	1960	28.6	7.94	143	145	83.8	49.3	54.1	55.6	
2"	ST88	638	451	534	638	902	1110	1430	2020	2850	34.9	11.1	194	162	121	76.2	88.9	88.9	2.27
	ST96	806	570	674	806	1140	1400	1800	2550	3600	38.1	11.1	229	210	143	92.2	102	102	3.18
3"	ST112	1170	826	977	1170	1650	2020	2610	3690	5220	44.5	14.3	251		168	92.2	102	102	4.08
	ST128	1540	1090	1290	1540	2180	2670	3450	4880	6900	50.8	14.3	270		185	92.2	102	102	
4"	ST160	2390	1690	2000	2390	3380	4140	5350	7570	10700	63.5	15.9	295		208	116	127	127	6.35