



THE
SPRAY NOZZLE
PEOPLE

STXP

Largest Free Passage

FULL CONE

DESIGN FEATURES

- ✓ Abrasion resistant
- ✓ Cobalt Alloy 6 or RBSC ceramic parts in high-wear areas
- ✓ High energy efficiency
- ✓ Largest free passage in spiral design
- ✓ Extra heavy, rugged construction
- ✓ Male and female connections
- ✓ Flanged and special connections available as required

SPRAY CHARACTERISTICS

- ✓ Fine atomisation
- ✓ Spray pattern: Full Cone
- ✓ (Hollow Cone available by special order)
- ✓ Spray angles: 90° and 120° standard
- ✓ Flow rates: 9.67 to 10700 l/min (Higher flow rates available)



The STXP nozzle is a special spiral, full cone nozzle, that is designed to be abrasion resistant and with additional clog resistance. It produces an approximate full cone pattern with good atomisation and is available in a large range of flow rates and spray angles. STXP nozzle are used primarily in gas scrubbing and pollution control applications but would be a suitable choice in any application where abrasion is a concern.

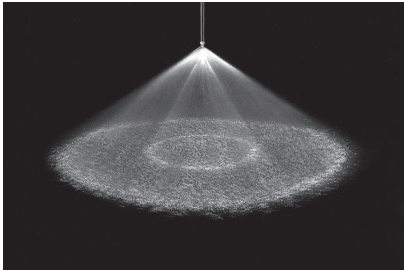
CALL NOW : +44 (0) 1273 400092

www.spray-nozzle.co.uk

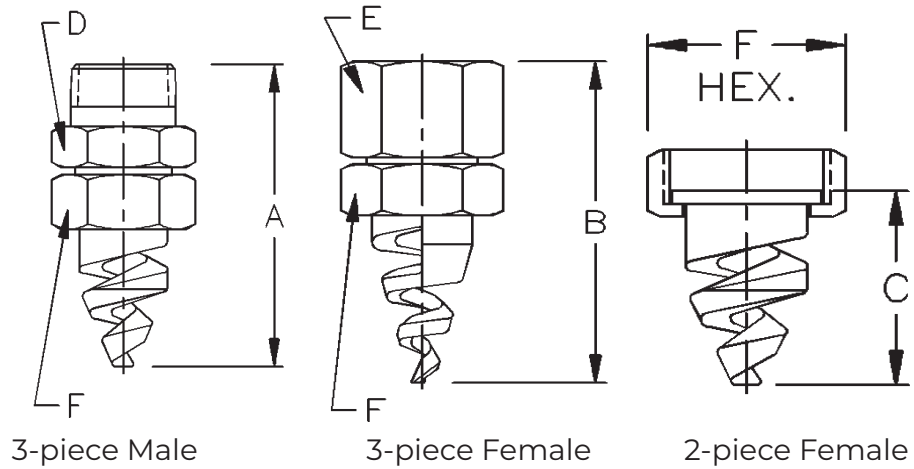
The Go-to People for spray nozzle solutions



Full cone 90°(XPN)



Full cone 90°(XPN)



STXP Flow Rates and Dimensions

Full Cone 90° (XPN) and 120° (XP) Spray Angles, 3/8" to 4" Pipe Sizes, BSP or NPT

Pipe Size	piece female pipe	Nozzle No	K	Flow rate (l/min) @ bar										Dimensions (mm)						Weight	
				0.5 bar	0.7 bar	1 bar	2 bar	3 bar	5 bar	10 bar	20 bar	Free Dia	A	B	C	D	E	F	Male	Fem.	
3/8	2	ST12	13.7	9.67	11.4	13.7	19.3	23.7	30.6	43.2	61.1	4.83	100	85.9	54.1	35.1	35.1	38.1	0.23	0.23	
		ST14	18.5	13.1	15.4	18.5	26.1	32	41.3	58.4	82.6	5.59	100	85.9	54.1	35.1	35.1	38.1			
		ST16	24.2	17.1	20.2	24.2	34.2	41.8	54	76.4	108	6.35	100	85.9	54.1	35.1	35.1	38.1			
		ST20	37.6	26.6	31.5	37.6	53.2	65.1	84.1	119	168	7.87	100	85.9	54.1	35.1	35.1	38.1			
3/4	2	ST24	54.9	38.8	46	54.9	77.7	95.1	123	174	246	9.65	114	96.8	68.1	30.2	30.2	44.5	0.51		
		ST28	75.2	53.2	62.9	75.2	106	130	168	238	336	11.2	114	96.8	68.1	30.2	30.2	44.5			
		ST32	95.7	67.7	80.1	95.7	135	166	214	303	428	12.7	152	130	107	38.1	38.1	55.6			
1	2	ST40	153	108	128	153	216	264	341	483	683	16	160	135	103	47.8	47.8	69.9	1.36	1.19	
		ST48	216	153	181	216	306	375	484	685	968	19.5	189	164	143	47.8	47.8	69.9			
1 1/2	2 1/2	ST56	294	208	246	294	416	509	657	930	1320	22.4	217	184	140	76.2	76.2	88.9	2.72	1.53	
		ST64	385	272	322	385	545	667	861	1220	1720	25.4	217	184	145	76.2	76.2	88.9			
2	3	ST72	438	309	366	438	619	758	978	1380	1960	28.7	224	194	146	76.2	76.2	88.9	3.63	1.81	
		ST88	638	451	534	638	902	1110	1430	2020	2850	35.1	298	203	213	92.2	92.2	102			
3	3	ST96	806	570	674	806	1140	1400	1800	2550	3600	38.1	290	259	218	92.2	92.2	102	4.54	2.67	
		ST112	1170	826	977	1170	1650	2020	2610	3690	5220		301	300	217	92.2	102	102			
4	4	ST128	1540	1090	1290	1540	2180	2670	3450	4880	6900		301	300	217	92.2	102	102	5.44	4.54	
		ST160	2390	1690	2000	2390	3380	4140	5350	7570		63.5*	330	330	254	127	127	127			