



THE  
SPRAY NOZZLE  
PEOPLE

# BJ

Low Flow



## FLAT FAN

### DESIGN FEATURES

- ✓ Three-piece construction
- ✓ Interchangeable spray tips
- ✓ Integral strainer option
- ✓ Male or female connections

### SPRAY CHARACTERISTICS

- ✓ Relatively coarse atomisation
- ✓ Uniform spray distribution with tapered edges for use in overlapping sprays
- ✓ Spray pattern: Flat Fan
- ✓ Spray angles: 0° to 120°
- ✓ Flow rates: 0.011 to 101 L/min



The BJ spray nozzle range is a low flow rate flat fan nozzle. It consists of three parts with a base, a spray tip and a cap nut (with an optional strainer). The base units and caps are universal meaning that spray tips can be swapped between base units.

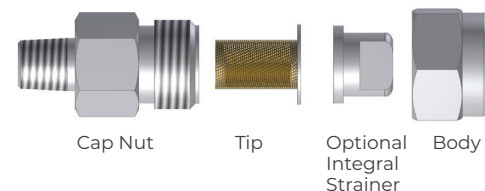
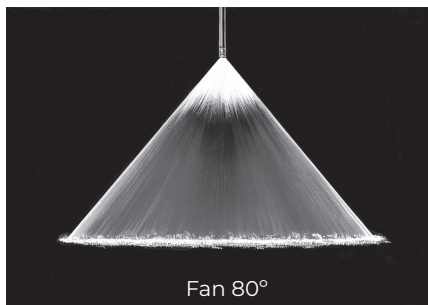
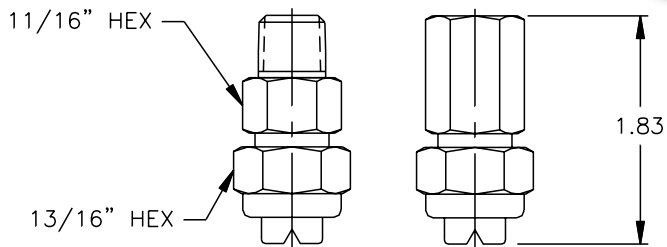
BJ Nozzles have a wide variety of uses. Common applications include:

Coating  
Moistening  
Lubrication  
Spraying additives

CALL NOW : +44 (0) 1273 400092

[www.spray-nozzle.co.uk](http://www.spray-nozzle.co.uk)

The Go-to People for spray nozzle solutions

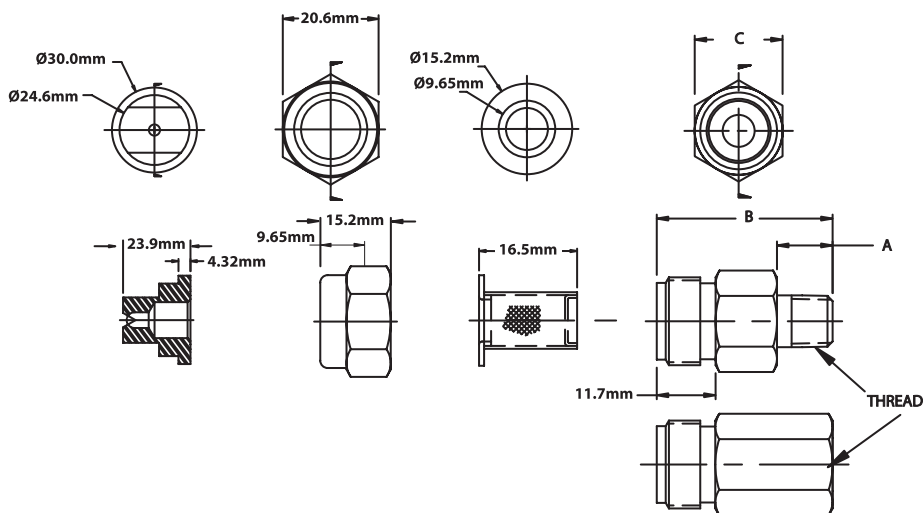


## BJ Flow Rates

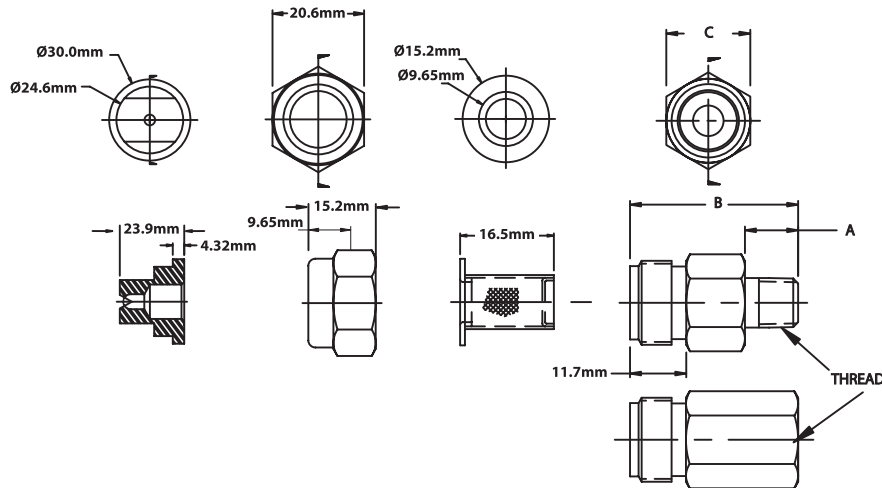
Fan, 0°, 15°, 25°, 40°, 50°, 65°, 80°, 95°, 110°, Spray Angles and 1/8", 1/4" and 3/8" BSP/NPT male/female  
 Standard Materials: Brass, 303 Stainless Steel and 316 Stainless Steel (for BJ01 and higher)

Thread Size	Nozzle No	Equiv Orifice Dia (mm)	K	Litres per minute @ bar										Optional Mesh Strainer Size	Wt (g)
				0.3 Bar	0.5 bar	0.7 bar	2 bar	4 bar	5 bar	10 bar	20 bar	30 bar	40 bar		
1/8"	<b>BJ0067</b>	0.58	0.153	0.084	0.11	0.13	0.22	0.31	0.34	0.48	0.68	0.84	0.97	100	28
	<b>BJ0077</b>	0.58	0.175	0.096	0.12	0.15	0.25	0.35	0.39	0.55	0.78	0.96	1.11		
	<b>BJ01</b>	0.71	0.228	0.12	0.16	0.19	0.32	0.46	0.51	0.72	1.02	1.25	1.44		
1/4"	<b>BJ015</b>	0.97	0.342	0.19	0.24	0.29	0.48	0.68	0.76	1.08	1.53	1.87	2.16	50	28
	<b>BJ02</b>	0.99	0.456	0.25	0.32	0.38	0.64	0.91	1.02	1.44	2.04	2.5	2.88		
	<b>BJ03</b>	1.19	0.684	0.37	0.48	0.57	0.97	1.37	1.53	2.16	3.06	3.74	4.32		
3/8"	<b>BJ04</b>	1.4	0.912	0.5	0.64	0.76	1.29	1.82	2.04	2.88	4.08	4.99	5.77	50	28
	<b>BJ05</b>	1.55	1.139	0.62	0.81	0.95	1.61	2.28	2.55	3.6	5.1	6.24	7.21		
	<b>BJ06</b>	1.7	1.367	0.75	0.97	1.14	1.93	2.73	3.06	4.32	6.11	7.49	8.65		
1/2"	<b>BJ077</b>	1.83	1.755	0.96	1.24	1.47	2.48	3.51	3.92	5.55	7.85	9.61	11.1	50	28
	<b>BJ08</b>	1.88	1.823	1	1.29	1.53	2.58	3.65	4.08	5.77	8.15	9.99	11.5		
	<b>BJ10</b>	2.18	2.279	1.25	1.61	1.91	3.22	4.56	5.1	7.21	10.2	12.5	14.4		
3/8" or 1/2"	<b>BJ15</b>	2.72	3.418	1.87	2.42	2.86	4.83	6.84	7.64	10.8	15.3	18.7	21.6	50	28
	<b>BJ20</b>	3.18	4.558	2.5	3.22	3.81	6.45	9.12	10.2	14.4	20.4	25	28.8		
	<b>BJ30</b>	3.67	6.837	3.74	4.83	5.72	9.67	13.7	15.3	21.6	30.6	37.4	43.2		
	<b>BJ40</b>	3.97	9.116	4.99	6.45	7.63	12.9	18.2	20.4	28.8	40.8	49.9	57.7		
	<b>BJ50</b>	4.37	11.394	6.24	8.06	9.53	16.1	22.8	25.5	36	51	62.4	72.1		
3/8" or 1/2"	<b>BJ60</b>	4.76	13.673	7.49	9.67	11.4	19.3	27.3	30.6	43.2	61.1	74.9	86.5	50	28
	<b>BJ70</b>	5.16	15.952	8.74	11.3	13.3	22.6	31.9	35.7	50.4	71.3	87.4	101		

Flow Rate (l/min) = K √ bar



Thread	A	B	C
1/8" Male	11.2	35.1	11/16"
1/8" Fem	N/A	35.1	11/16"
1/4" Male	14.2	35.1	11/16"
1/4" Fem	N/A	35.1	11/16"
3/8" Male	14.2	35.1	11/16"
3/8" Fem	N/A	35.1	13/16"
1/2" Male	15.7	35.1	7/8"
1/2" Fem	N/A	35.1	1 1/8"



Thread	A	B	C
1/8" Male	11.2	35.1	11/16"
1/8" Fem	N/A	35.1	11/16"
1/4" Male	14.2	35.1	11/16"
1/4" Fem	N/A	35.1	11/16"
3/8" Male	14.2	35.1	11/16"
3/8" Fem	N/A	35.1	13/16"
1/2" Male	15.7	35.1	7/8"
1/2" Fem	N/A	35.1	1 1/8"

## BJ Flow Rates

Fan, 0°, 15°, 25°, 40°, 50°, 65°, 73°, 80°, 95°, 110°, Spray Angles and 1/8", 1/4" and 3/8" BSP/NPT male/female  
 Standard Materials: Brass, 303 Stainless Steel and 316 Stainless Steel (for BJ01 and higher)

Thread Size	Nozzle No	Equip Orifice Dia (mm)	K	Litres per minute @ bar									
				0.3 Bar	0.5 bar	0.7 bar	2 bar	4 bar	5 bar	10 bar	20 bar	30 bar	40 bar
1/8" or	<b>BJ0067</b>	0.58	0.153	0.084	0.11	0.13	0.22	0.31	0.34	0.48	0.68	0.84	0.97
	<b>BJ0077</b>	0.58	0.175	0.096	0.12	0.15	0.25	0.35	0.39	0.55	0.78	0.96	1.11
	<b>BJ01</b>	0.71	0.228	0.12	0.16	0.19	0.32	0.46	0.51	0.72	1.02	1.25	1.44
	<b>BJ015</b>	0.97	0.342	0.19	0.24	0.29	0.48	0.68	0.76	1.08	1.53	1.87	2.16
	<b>BJ02</b>	0.99	0.456	0.25	0.32	0.38	0.64	0.91	1.02	1.44	2.04	2.5	2.88
1/4" or	<b>BJ03</b>	1.19	0.684	0.37	0.48	0.57	0.97	1.37	1.53	2.16	3.06	3.74	4.32
	<b>BJ04</b>	1.4	0.912	0.5	0.64	0.76	1.29	1.82	2.04	2.88	4.08	4.99	5.77
	<b>BJ05</b>	1.55	1.139	0.62	0.81	0.95	1.61	2.28	2.55	3.6	5.1	6.24	7.21
3/8" or	<b>BJ06</b>	1.7	1.367	0.75	0.97	1.14	1.93	2.73	3.06	4.32	6.11	7.49	8.65
	<b>BJ077</b>	1.83	1.755	0.96	1.24	1.47	2.48	3.51	3.92	5.55	7.85	9.61	11.1
1/2" or	<b>BJ08</b>	1.88	1.823	1	1.29	1.53	2.58	3.65	4.08	5.77	8.15	9.99	11.5
	<b>BJ10</b>	2.18	2.279	1.25	1.61	1.91	3.22	4.56	5.1	7.21	10.2	12.5	14.4
	<b>BJ15</b>	2.72	3.418	1.87	2.42	2.86	4.83	6.84	7.64	10.8	15.3	18.7	21.6
3/8" or 1/2"	<b>BJ20</b>	3.18	4.558	2.5	3.22	3.81	6.45	9.12	10.2	14.4	20.4	25	28.8
	<b>BJ30</b>	3.67	6.837	3.74	4.83	5.72	9.67	13.7	15.3	21.6	30.6	37.4	43.2
	<b>BJ40</b>	3.97	9.116	4.99	6.45	7.63	12.9	18.2	20.4	28.8	40.8	49.9	57.7
	<b>BJ50</b>	4.37	11.394	6.24	8.06	9.53	16.1	22.8	25.5	36	51	62.4	72.1
	<b>BJ60</b>	4.76	13.673	7.49	9.67	11.4	19.3	27.3	30.6	43.2	61.1	74.9	86.5
	<b>BJ70</b>	5.16	15.952	8.74	11.3	13.3	22.6	31.9	35.7	50.4	71.3	87.4	101

Flow Rate (l/min) = K √ bar