



THE  
SPRAY NOZZLE  
PEOPLE

# UltiMist

Misting Nozzles

## MISTING

### DESIGN FEATURES

- ▼ **Metal:**
  - 416 Stainless Steel tip
  - Brass adapter
  - 1/8" and 1/4" sizes
  - Male or female connections
  - Integral 100 mesh strainer
- ▼ **Plastic:**
  - All plastic construction
  - 1/8" male connection

### SPRAY CHARACTERISTICS

- ▼ Very fine, fog-like mist
- ▼ Produces high number of droplets under 60 microns
- ▼ Spray pattern: Hollow Cone
- ▼ Medium angle
- ▼ Flow rates: Metal - (1.5 - 61.1 L/hr)
- ▼ Plastic - (2.5 - 32.6 L/hr)



The UltiMist is a misting nozzle that produces a fine fog spray pattern. The 416 stainless tip is hard wearing allowing for continual use at high pressures. It is also available in plastics. The UltiMist can be used in any application where small drop size is required including:

Moistening  
Evaporative Cooling  
Odour Control  
And many more.

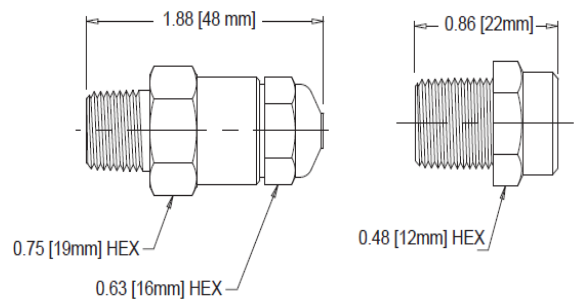
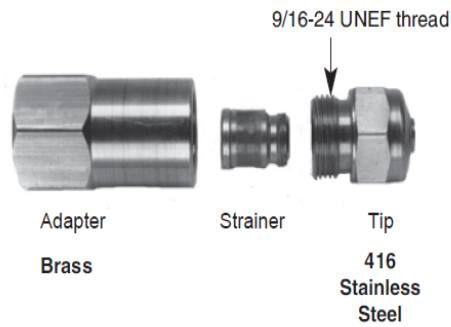
CALL NOW : +44 (0) 1273 400092

[www.spray-nozzle.co.uk](http://www.spray-nozzle.co.uk)

The Go-to People for spray nozzle solutions



Mist



## UltiMist Plastic Flow Rates

Hollow Cone, Wide Spray Angle, 1/8" Pipe Size

NPT Male Pipe Size	Nozzle No	K Factor	Litres per hour @ bar				
			3 bar	5 bar	10 bar	20 bar	70 bar
1/8"	UML63M	1.44	2.5	3.2	4.6	6.4	12.1
	UML63W	1.44	2.5	3.2	4.6	6.4	12.1
	UML126M	2.88	5	6.4	9.1	12.9	24.1
	UML170M	3.89	6.7	8.7	12.3	17.4	32.6

## UltiMist Metal Flow Rates

Hollow Cone, Medium Spray Angle, 1/8" and 1/4" Pipe Size

NPT, BSP, Male or female pipe size	Nozzle No	K Factor	Litres per hour at bar				
			3 bar	10 bar	40 bar	70 bar	80 bar
1/8" or 1/4"	UM37M	0.84	1.5	2.7	5.3	7.1	7.5
	UM50M	1.14	2	3.6	7.2	9.5	10.2
	UM75M	1.71	3	5.4	10.8	14.3	15.3
	UM100M	2.28	3.9	7.2	14.4	19.1	20.4
	UM150M	3.42	5.9	10.8	21.6	28.6	30.6
	UM200M	4.56	7.9	14.4	28.8	38.1	40.8
	UM250M	5.7	9.9	18	36	47.7	51
	UM300M	6.84	11.8	21.6	43.2	57.2	61.1